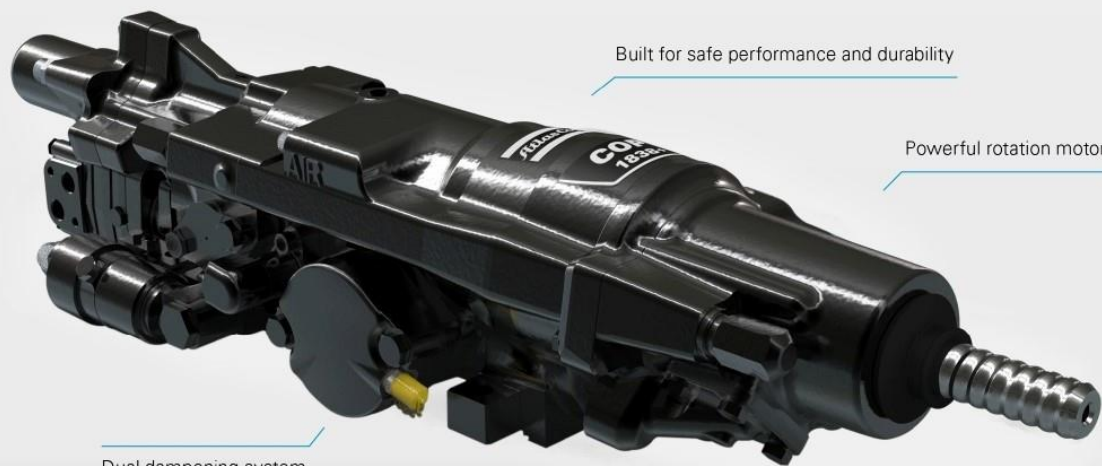


# ENHANCED SERVICE LIFE

DEVELOPED TO PROVIDE EXTENDED SERVICE LIFE, WITH NO SACRIFICE TO IT'S PROVEN DRILLING PERFORMANCE.



Built for safe performance and durability

Powerful rotation motor

Dual dampening system

## DRIFTER COP1838+

Specially created for production drilling

### + MAIN BENEFITS

**High torque output** for efficient drilling minimizing the risk of jamming

**Reliability** with optimized rock contact, while simultaneously protecting the rock drill from harmful energy recoils

**Sustainability** by ensuring cuttings are removed efficiently to promote better bit life



The COP 1838 MUX+/COP 1838HUX+ variants comes with a built in powerful hydraulic extractor. Extractor unit upgrade kits are available.



Service tools are available to facilitate precise and correct machine maintenance ensuring equipment safety and performance.



Major and minor preventative maintenance kits are available for maintenance ease, and to ensure optimized rock drill service life.

## TECHNICAL SPECIFICATIONS

### DIMENSIONS AND WEIGHT

	COP 1838MUX+	COP 1838HUX+	COP 1838+	COP 1838HE+
Weight	225 kg (496 lb)	228 kg (503 lb)	170 kg (375 lb)	174 kg (384 lb)
Length without shank adapter	1206 mm (3 ft 11.5 inch)	1296 mm (4 ft 3 inch)	1008 mm (3 ft 3.6 inch)	1098 mm (3 ft 7.3 inch)
Width including connectors	251 mm (9.9 inch)	316 mm (1 ft 0.4 inch)	251 mm (9.9 inch)	316 mm (1 ft 0.4 inch)
Height	257 mm (10.1 inch)	257 mm (10.1 inch)	223 mm (8.8 inch)	223 mm (8.8 inch)
Height over drill center	122 mm (4.8 inch)	122 mm (4.8 inch)	88 mm (3.5 inch)	88 mm (3.5 inch)

### IMPACT RATINGS

	COP 1828MUX+	COP 1838HUX+	COP 1838+	COP1838HE+
Impact power (maximum)	18 kW (24 hp)	19 kW (25.5 hp)	18 kW (24 hp)	19 kW (25.5 hp)
Input power to rock drill (maximum)	32 kW (43 hp)	32 kW (43 hp)	31 kW (41.6 hp)	32 kW (43 hp)
Hydraulic pressure (maximum)	220 bar (3190 psi)	220 bar (3190 psi)	230 bar (3336 psi)	230 bar (3336 psi)
Flow rate	75 - 92 l/min (2.6 - 3.2 cfm)	71 - 90 l/min (2.5 - 3 cfm)	75 - 92 l/min (2.6 - 3.2 cfm)	71 - 90 l/min (2.5 - 3 cfm)
Impact frequency	60 Hz	42 - 50 Hz	60 Hz	42 - 50

### ROTATION MOTORS

	COP 1838+	COP 1838+ COP 1838MUX+ COP 1838HUX+	COP 1838+ COP 1838MUX+ COP 1838HE+ COP 1838HUX+
Type	05 (100 cc)	07 (1600 cc)	09 (250 cc)
Rotation range	0 - 340 rpm	0 - 215 rpm	0 - 135 rpm
Torque (maximum)	640 Nm (472 lbf-ft)	1070 Nm (789 lbf - ft)	1550 Nm (1143 lbf - ft)
Working pressure (maximum)	210 bar (3046 psi)	210 bar (3046 psi)	200 bar (2901 psi)
Oil consumption	75 l/min (2.6 cfm)	75 l/min (2.6 cfm)	75 l/min (2.6 cfm)

### FLUSHING FLOW AND PRESSURE

	COP 1838MUX+	COP1838HUX+	COP 1838+	COP 1838HE+
Flushing water pressure (maximum)	25 bar (362.6 psi)	25 bar (362.6 psi)	25 bar (362.6 psi)	25 bar (362.6 psi)
Lubricating air consumption at 2 bar (29 psi)	5 l/s (10.6 cfm)	5 l/s (10.6 cfm)	5 l/s (10.6 cfm)	5 l/s (10.6 cfm)
Flushing water consumption*	55 - 120 l/min (2 - 4.3 cfm)	105 - 165 l/min (3.7 - 5.8 cfm)	40 - 120 l/min (1.4 - 4.3 cfm)	105 - 165 l/min (3.7 - 5.8 cfm)

\* Flushing water consumption depends strongly upon hole diameter, bit type, drill rod size and rock hardness.  
The figures above are typical values for spherical button bits in granite 200 Mpa (36,250 psi)

### KITS

	COP 1838MUX+	COP 1838HUX+	COP 1838+ (Guide diameter 38)	COP 1838+ (Guide diameter 52)	COP 1838HE+
Seal kit	3115 9243 98	3115 9243 99	3115 9170 92	3115 9170 92	3115 9170 97
Seal set kit extractor	3115 9244 99	3115 9244 99	N/A	N/A	N/A
Minor Preventive Maintenance kit	3115 9244 93	3115 9244 92	3115 9238 95	3115 9238 95	3115 9241 96
Major Preventive Maintenance kit	3115 9244 96	3115 9244 95	3115 9238 96	3115 9238 97	3115 9241 97
Major Preventive Maintenance kit with extractor	3115 9245 92	3115 9245 92	N/A	N/A	N/A

### SHANK ADAPTERS

	COP 1838MUX+	COP 1838HUX+	COP 1838+ (Guide diameter 38) for drifting	COP 1838+ (Guide diameter 38) for long- hole drilling	COP 1838+/COP 1838HE+ (Guide diameter 52) for long- hole drilling
R32	N/A	N/A	403 - 09101,10	403 - 09103,10	403 - 09103 - 18,10
TC35	N/A	N/A	N/A	N/A	469 - 09103 - 18,10
R38	N/A	N/A	404 - 09101,10	404 - 09103,10	N/A
T38	435 - 12305,10	435 - 12305,10	435 - 09101,10	435 - 09103,10	435 - 09103 - 18,10
SR38	N/A	N/A	427 - 09101,10	427 - 09103,10	N/A
T45	436 - 12305,10	436 12305,10	N/A	N/A	436 - 09103,10
T51	N/A	N/A	N/A	N/A	437 - 09103,10